



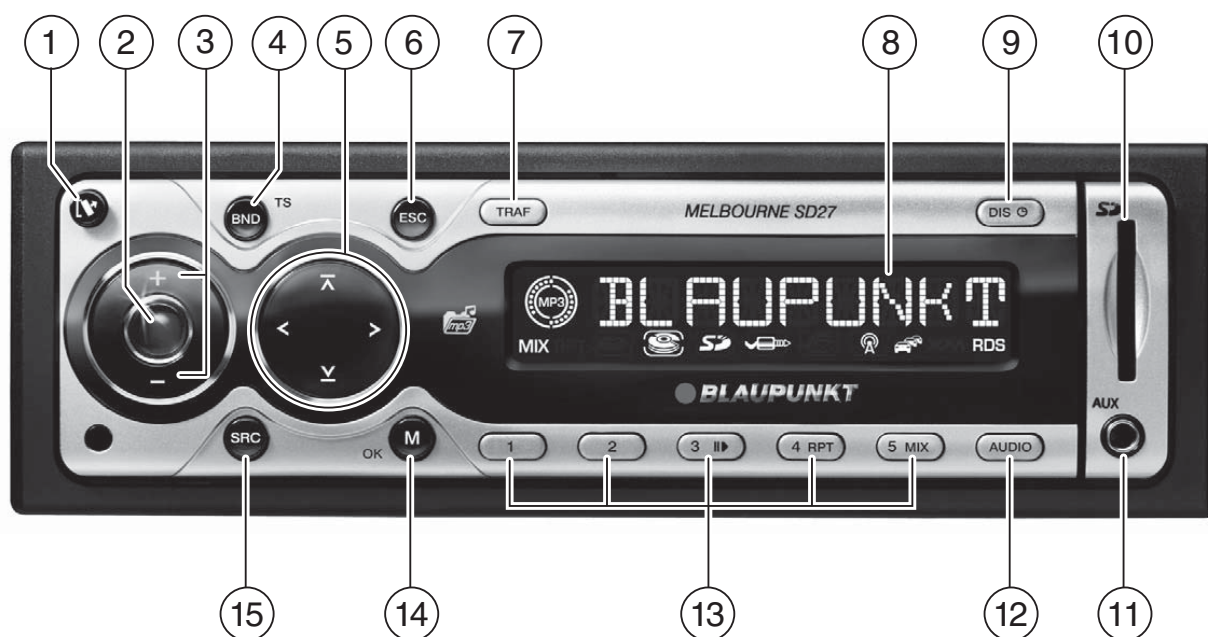
Radio | SD | MP3 | WMA

Canberra SD27	7 647 523 310 / 7 647 525 310
Melbourne SD27	7 647 503 310 / 7 647 505 310
Melbourne SD27	7 647 662 310 / 7 647 664 310
Sydney SD27	7 647 513 310 / 7 647 515 310




Bedienungs- und Einbauanleitung  
Operating and installation instructions  
Mode d'emploi et de montage  
Istruzioni d'uso e di installazione  
Gebruiksaanwijzing en inbouwhandleiding  
Bruks- och monteringsanvisning  
Instrucciones de manejo e instalación  
Instruções de serviço e de montagem  
Betjenings- og monteringsvejledning  
Instrukcja obsługi i montażowa  
Návod k obsluze a k montáži  
Návod na obsluhu a inštaláciu

 **BLAUPUNKT**



## Controls

---

- ① **RECALL** button  
to remove the control panel (release panel)
- ② Button to switch the device on/off and operate the volume mute feature.
- ③ Volume control
- ④ **BND/TS** button  
Short press: Selects the FM memory banks and the MW and LW wavebands.  
Long press: Starts the Travelstore function.
- ⑤ Arrow buttons
- ⑥ **ESC** button
- ⑦ **TRAF** button  
Short press: Switches traffic information standby on/off.  
Long press: Switches convenient RDS function on/off.
- ⑧ LCD display
- ⑨ **DIS**  button
- ⑩ Slot for SD/MMC cards
- ⑪ Front AUX-IN IN socket for connecting external audio sources, e.g. portable CD players.
- ⑫ **AUDIO** button  
Sets bass, treble, balance and fader.  
Selects an equalizer presetting.  
Switching X-BASS on/off and adjusting it.
- ⑬ Keys **1 - 5**
- ⑭ **M/OK** button  
Short press: Calls up the menus for the settings. Confirming menu settings with **OK**.  
Long press: Starts the scan function.
- ⑮ **SRC** button  
Switches sources between radio, SD/MP3, CD changer (if connected) or AUX-IN, AUX-IN IN (if connected).

<b>About these instructions .....</b>	<b>35</b>	<b>Radio mode .....</b>	<b>42</b>
Symbols used.....	35	Adjusting the tuner.....	42
Use as directed.....	35	Switching to radio mode .....	42
Declaration of conformity.....	35	Convenient RDS functions.....	42
<b>For your safety .....</b>	<b>36</b>	Selecting the waveband/ memory bank .....	43
If you are installing device yourself....	36	Tuning into a station .....	43
Observe the following!.....	36	Setting the sensitivity of station seek tuning .....	44
Cleaning instruction .....	36	Storing stations .....	44
Disposal note .....	36	Storing stations automatically (Travelstore) .....	44
<b>Scope of delivery .....</b>	<b>37</b>	Listening to stored stations .....	44
Optional equipment (not part of the scope of delivery) ....	37	Scanning receivable stations (SCAN) .	44
<b>Warranty.....</b>	<b>37</b>	Setting the scanning time.....	45
<b>Service .....</b>	<b>37</b>	Programme type (PTY) .....	45
<b>Detachable control panel .....</b>	<b>38</b>	Configuring the display .....	46
Theft protection.....	38	<b>Traffic information.....</b>	<b>47</b>
Detaching the control panel.....	38	Switching traffic information priority on/off .....	47
Attaching the control panel.....	38	Skipping a traffic announcement.....	47
<b>Switching on/off.....</b>	<b>38</b>	Setting the volume for traffic announcements.....	47
Switching on/off using button ② .....	38	<b>SD/MMC mode .....</b>	<b>48</b>
Switching on/off using the vehicle ignition.....	39	Preparing MP3/WMA titles .....	48
Switching off with detachable control panel.....	39	Inserting/removing SD/MMC card ....	49
<b>Timeout function .....</b>	<b>39</b>	Switching to SD/MMC mode.....	49
<b>Adjusting the volume .....</b>	<b>39</b>	Configuring the display .....	49
Setting the power-on volume .....	39	Selecting a directory .....	49
Quickly reducing the volume (Mute) ..	40	Selecting tracks.....	50
Switching the confirmation beep on/off .....	40	Fast seek tuning (audible) .....	50
Muting during telephone mode .....	41	Repeating individual tracks or whole directories (REPEAT).....	50
Telephone Audio/Navigation Audio ...	41	Random track play (MIX).....	50
		Scanning tracks (SCAN).....	50
		Interrupting playback (PAUSE).....	51

<b>CD-changer mode .....</b>	<b>51</b>
Switching to CD-changer mode .....	51
Selecting CDs.....	51
Selecting tracks.....	51
Fast seek tuning (audible) .....	51
Configuring the display .....	51
Repeating individual tracks or whole CDs (REPEAT) .....	51
Random track play (MIX) .....	52
Scanning all tracks on all CDs (SCAN) ...	52
Interrupting playback (PAUSE).....	52
<b>Clock – Time.....</b>	<b>52</b>
Displaying the time .....	52
Setting the time.....	52
Selecting 12/24-hour clock mode ....	53
Displaying the time with device and ignition switched off.....	53
<b>Sound .....</b>	<b>53</b>
Equalizer .....	53
Setting the left/right volume distribution (balance).....	56
Adjusting the front/rear volume distribution (fader) .....	56
Equalizer presets (presets) .....	56
<b>X-BASS .....</b>	<b>57</b>
Adjusting the X-BASS boost.....	57
Adjusting E-XBASS.....	57
<b>Display.....</b>	<b>58</b>
Adjusting the display brightness.....	58
<b>External audio sources .....</b>	<b>58</b>
<b>Factory settings (Normset).....</b>	<b>59</b>
<b>Specifications .....</b>	<b>60</b>
<b>Installation instructions .....</b>	<b>351</b>

## About these instructions

These instructions contain important information to easily and safely install and operate the device.

- Read these instructions carefully and completely before using the device.
- Keep the instructions at a location so that they are always accessible to all users.
- Always pass on the device to third parties together with these instructions.

In addition, observe the instructions of the devices used in conjunction with this device.

## Symbols used

These instructions employ the following symbols:



### **DANGER!**

Warns about injuries



### **DANGER!**

Warns about accidents



### **DANGER!**

Warns about hearing loss



The CE mark confirms the compliance with EU directives.

➔ Identifies a sequencing step

- Identifies a listing

## Use as directed

This device is intended for installation and operation in a vehicle with 12 V vehicle system voltage and must be installed in a DIN slot. Observe the 'performance limits in the technical data. Repairs and installation, if necessary, should be performed by a specialist.

## Declaration of conformity

The Blaupunkt GmbH declares that the devices Melbourne SD27, Sydney SD27 and Canberra SD27 comply with the basic requirements and the other relevant regulations of the directive 89/336/EWG.

## For your safety

The device was manufactured according to the state of the art and established safety guidelines. Even so, dangers may occur if you do not observe the safety notes in these instructions.

### If you are installing device yourself

You may only install the device yourself if you are experienced in installing car sound systems and are very familiar with the electrical system of the vehicle. For this purpose, observe the installation instructions at the end of these instructions.

### Observe the following!

---



#### **DANGER!**

#### **Increased risk of injury from connector**

In case of an accident, the protruding connector in the AUX-IN socket can cause injuries. The use of straight connectors or adapters may pose an increased risk of injury.

- It is, therefore, recommended to use angled jack plugs, e.g. the Blaupunkt accessories cable (7 607 001 535).
- 

#### In operation

- Operate the device only if traffic situation permits it! Stop at a suitable location to perform extensive settings.
- Remove or attach the control panel only while the vehicle is standing an.
- To protect your hearing, always listen at a moderate volume.

During mute phases (e.g. during Travel-store, or while the CD changer is changing the CD), changing the volume is not detectable until after this mute phase. Do not increase the volume during this mute phase.

- Always listen at a moderate volume so that you can hear acoustic warning signals (e.g. police).

#### After operation

- The device is worthless to a thief without the control panel. Always remove the control panel whenever you leave the vehicle.
- Transport the control panel so that it is protected against impacts and the contacts cannot become dirty.

### Cleaning instruction

Solvents, cleaning and scouring agents as well as dashboard spray and plastics care product may contain ingredients that will damage the surface of the device. Use only a dry or slightly moistened cloth for cleaning the device.

### Disposal note



#### **(EU countries only)**

Do not dispose of your old unit in the household trash!

Use the return and collection systems available to dispose of the old device.



## Scope of delivery

The scope of delivery includes:

- 1 Car sound system
- 1 Support frame
- 2 Disassembly bar
- 1 Guide pin
- 1 Operating instructions

### Optional equipment (not part of the scope of delivery)

Use only accessories approved by Blaupunkt.

#### Remote control

The steering wheel and/or handheld remote control allows you to access the most important functions of your car sound system safely and conveniently.

You cannot switch the device on/off using the remote control!

You can find out from your Blaupunkt dealer or on the Internet at [www.blaupunkt.com](http://www.blaupunkt.com) which remote controls can be used with your car sound system.

#### Bluetooth interface

For Bluetooth applications, such as wireless hands-free calling, you can connect a Bluetooth interface.

#### Amplifier

You can use all Blaupunkt and Velocity amplifiers.

#### CD changers

You can connect the following Blaupunkt CD changers:  
CDC A 03, CDC A 08 and IDC A 09.

## Warranty

We provide a manufacturer's warranty for products bought within the European Union. Devices purchased outside the European Union are subject to the warranty terms published by our respective regional agency.

The warranty terms can be called up under [www.blaupunkt.com](http://www.blaupunkt.com) or requested directly from:

Blaupunkt GmbH  
Hotline  
Robert-Bosch-Str. 200  
D-31139 Hildesheim

## Service

In some countries, Blaupunkt offers a repair and pick-up service.

Information about the availability of this service in your country can be found at [www.blaupunkt.com](http://www.blaupunkt.com).

If you want to take advantage of this service, you may request a pick-up service for your device via the Internet.



# Detachable control panel

## Theft protection

The device is equipped with a detachable control panel (flip-release panel) as a way of protecting your equipment against theft. The device is worthless to a thief without this control panel.

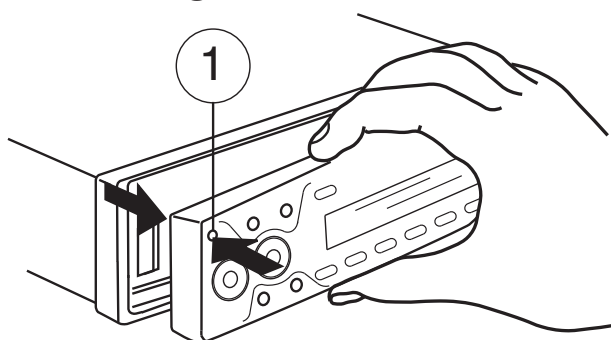
Protect your device against theft by taking the control panel with you whenever you leave your vehicle. Do not leave the control panel inside your vehicle - not even in a hiding place.

The control panel has been designed to be easy to use.

### Notes:

- Never drop the control panel.
- Never expose the control panel to direct sunlight or other heat sources.
- Avoid direct skin contact with the control panel's electrical contacts. If necessary, clean the contacts with a lint-free cloth moistened with cleaning alcohol.

## Detaching the control panel



➔ Press the  button (1).

The locking mechanism of the control panel is unlocked. The device switches off.

➔ Pull the control panel straight out of the device and to the left.

All the current settings are saved.

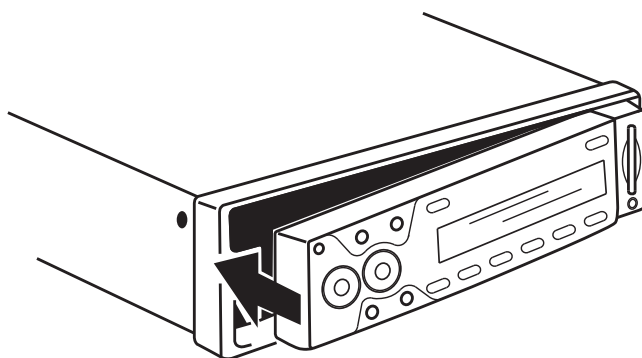
## Attaching the control panel

➔ Push the control panel into the guides of the device from the left to the right.

### Note:

When attaching the control panel, make sure you do not push on the display.

➔ Carefully push on the left side of the control panel until it clicks into place.



## Switching on/off

There are various ways of switching the device on/off:

### Switching on/off using button (2)

➔ To switch on the device, press button (2).

➔ To switch off the device, press and hold down button (2) for longer than two seconds.

The device switches off.

**Note:**

To protect the vehicle battery, the device will switch off automatically after one hour if the ignition is off.

## Switching on/off using the vehicle ignition

The device will switch on/off simultaneously with the ignition if the device is correctly connected to the vehicle's ignition and you did not switch the device off by pressing button (2).

## Switching off with detachable control panel

➔ Detach the control panel.

The device switches off.

## Timeout function

The device features a time-out function (time window). If you press the **M/OK** (14) button and select a menu item, the device switches back after approx. 8 seconds after the last button activation. The settings performed are saved.

## Adjusting the volume

You can adjust the volume in increments from 0 (off) to 66 (maximum).

To increase the volume,

➔ press the + button (3).

To decrease the volume,

➔ press the - button (3).

## Setting the power-on volume

You can set the power-on volume.

➔ Press the **M/OK** button (14).

The display shows "MENU".

➔ Press the  $\sphericalangle$  or  $\sphericalangle$  button (5) repeatedly until "ON VOLUME" appears on the display.

➔ Press the < button (5).

➔ Adjust the power-on volume using the  $\sphericalangle$  or  $\sphericalangle$  buttons (5).

If you enable "LAST VOL", the volume which was set the last time you switched off the device is re-enabled.

➔ Press the **M/OK** button (14).

The display shows "MENU".

➔ Press the  $\sphericalangle$  or  $\sphericalangle$  button (5) repeatedly until "ON VOLUME" appears on the display.

➔ Press the > button (5).

**Note:**

To protect your hearing, the power-on volume is limited to the value "38". If the volume before switching off was higher and the "LAST VOL" setting was selected, the device switches on again with the value "38".

## Adjusting the volume

---

When you have finished making your changes,

➔ press the **M/OK** button (14).

The display shows "MENU".

To exit the menu,

➔ press the **ESC** button (6) or wait approx. 8 seconds.

## Quickly reducing the volume (Mute)

You can quickly reduce the volume to a preset level (Mute).

➔ **Briefly** press button (2).

"MUTE" appears on the display.

## Cancelling mute

To return to your previously set volume level,

➔ **briefly** press button (2) again.

## Adjusting the mute level

You can adjust the mute level.

➔ Press the **M/OK** button (14).

The display shows "MENU".

➔ Press the  $\sphericalangle$  or  $\sphericalright$  (14) button repeatedly until "MUTE LVL" appears on the display.

➔ Press the **M/OK** button (14) to display the submenu.

"MUTE" and the currently set value are displayed.

➔ Adjust the mute level using the button  $\sphericalangle$  or  $\sphericalright$  (5).

When you have finished making your changes,

➔ press the **M/OK** button (14).

To exit the menu,

➔ press the **ESC** button (6) or wait approx. 8 seconds.

## Switching the confirmation beep on/off

The system will output a confirmation beep for some functions if you keep a button pressed down for longer than two seconds, for instance, when assigning a radio station to a station preset button. You can switch the beep on or off.

➔ Press the **M/OK** button (14).

The display shows "MENU".

➔ Press the  $\sphericalangle$  or  $\sphericalright$  button (5) repeatedly until "BEEP ON" or "BEEP OFF" appears on the display.

➔ Switch the beep on or off using the button  $\sphericalleft$  or  $\sphericalright$  (5). "OFF" means beep off, "ON" means beep on.

When you have finished making your changes,

➔ press the **M/OK** button (14).

To exit the menu,

➔ press the **ESC** button (6) or wait approx. 8 seconds.

## Muting during telephone mode

If your car sound system is connected with a cell phone or navigation system, answering the phone or a voice output of the navigation automatically mutes the car sound system. The call or the voice output is played back via the loudspeakers of the car sound system. In order for this feature to work, the mobile telephone or navigation system must be connected to the car sound system as described in the installation instructions.

You can find out from your Blaupunkt dealer which navigation systems can be used with your car sound system.

If a call is answered or a navigation announcement occurs, the display shows "TELEPHONE".

## Telephone Audio/Navigation Audio

During a telephone call or a voice output of the navigation, no traffic announcements are switched. The traffic announcement is not recorded!

You can set the volume level at which the telephone calls or navigation announcements are mixed in.

➔ Press the **M/OK** button (14).

The display shows "MENU".

➔ Press the  $\nabla$  or  $\bar{\nabla}$  button (5) repeatedly until "TEL VOL" appears on the display.

➔ Press the **M/OK** button (14) to display the submenu.

"TEL VOL" and the currently set value are displayed.

➔ Set the desired volume with the  $\nabla$  or  $\bar{\nabla}$  button (5).

When you have finished making your changes,

➔ press the **M/OK** button (14).

To exit the menu,

➔ press the **ESC** button (6) or wait approx. 8 seconds.

### Notes:

- If the volume listened to is higher than the set "TEL VOL" value, telephone calls or navigation announcements are played back at the volume listened to.
- Using the volume control (3), you can adjust the volume for telephone calls and navigation announcements directly during the playback.
- You can adjust the volume distribution for telephone calls and navigation announcements during the playback. For further information, please read the "Sound" chapter.

# Radio mode

## Adjusting the tuner

To ensure proper functioning of the tuner, the device must be set for the region in which it is being operated. You can select among Europe (EUROPE), America (USA), South America (S-AMERICA), and Thailand (THAI). The tuner is factory-set to the region in which it was sold. If you experience problems with your radio reception, please check this setting.

The radio functions described in these operating instructions refer to the tuner setting EUROPE.

- ➔ Switch off the device by pressing button (2).
- ➔ Hold the buttons **3** (13) and **AUDIO** (12) pressed at the same time and switch on the device again with button (2).
- ➔ The current setting is displayed.
- ➔ Select your tuner region with the  $\sphericalangle$  or  $\sphericalcap$  button (5).

To save the setting and to exit the menu,

- ➔ press the **M/OK** button (14).

## Switching to radio mode

If you are in SD, CD changer or AUX-IN mode,

- ➔ press the **BND/TS** button (4)
- or
- ➔ press the **SRC** button (15) repeatedly until the display shows "TUNER".

## Convenient RDS functions

This device is equipped with an RDS (Radio Data System) radio receiver. Many FM stations broadcast a signal that not only carries the programme but also additional information such as the station name and programme type (PTY).

The station name appears on the display as soon as the tuner receives it.

The convenient RDS functions AF (Alternative Frequency) and REGIONAL extend your radio's range of functions.

- **AF:** If the RDS function is activated, the radio automatically tunes into the best receivable frequency for the station that is currently set.
- **REGIONAL:** At certain times, some radio stations divide their programme into regional programmes providing different content. You can use the REG function to prevent the car radio from switching to alternative frequencies that are transmitting different programme content.

### Note:

REGIONAL must be activated/deactivated (REG ON/OFF) separately in the menu.

## Switching the RDS function on/off

If you want to use the RDS functions AF and REGIONAL,

- ➔ press and hold the **TRAF** button (7) for longer than two seconds.

The RDS function is active if RDS appears on the display.

To deactivate,

- press and hold the **TRAF** button (7) for longer than two seconds.
- The RDS symbol disappears from the display.

### Switching REGIONAL on/off

- Press the **M/OK** button (14).

The display shows "MENU".

- Press the  $\sphericalangle$  or  $\sphericalleftarrow$  button (5) repeatedly until "REG ON" or "REG OFF" appears on the display.

To switch REGIONAL on/off,

- press the  $\sphericalrightarrow$  or  $\sphericalleftarrow$  button (5).
- Press the **M/OK** button (14).

To exit the menu,

- press the **ESC** button (6) or wait approx. 8 seconds.

### Selecting the waveband/memory bank

This device can receive programmes broadcast over the FM frequency range as well as the MW and LW (AM) wavebands. There are three memory banks available for the FM waveband (FM1, FM2 and FMT) and one for each of the MW and LW wavebands.

Five stations can be stored in each memory bank.

To switch between the FM memory banks (FM1, FM2 and FMT) and the MW and LW wavebands,

- briefly press the **BND/TS** button (4).

### Tuning into a station

There are various ways of tuning into a station.

#### Automatic station seek tuning

- Press the  $\sphericalleftarrow$  or  $\sphericalrightarrow$  button (5).

The radio tunes into the next receivable station.

#### Tuning into stations manually

You can also tune into stations manually.

##### Note:

You can only tune into stations manually if the RDS function is deactivated.

- Press the  $\sphericalleftarrow$  or  $\sphericalrightarrow$  button (5).

#### Browsing through broadcasting networks (FM only)

If radio stations provide several programmes, you have the option of browsing through these so-called "broadcasting networks".

##### Note:

The convenient RDS function must be activated before you can use this feature.

- Press the  $\sphericalleftarrow$  or  $\sphericalrightarrow$  button (5) to change to the next station of the broadcasting network.

##### Note:

When using this feature, you will only be able to switch to stations that you have received once before already. To receive the stations, use the Scan or Travelstore function.



### Setting the sensitivity of station seek tuning

You can choose whether the radio should only tune into stations providing good reception or whether it can also tune into those with a weak reception.

➔ Press the **M/OK** button (14).

The display shows "MENU".

➔ Press the  $\sphericalangle$  or  $\sphericalangle$  button (5) repeatedly until "SENS" and the currently set value appears on the display.

"SENS HI6" means that the tuner is set to the highest sensitivity setting. "SENS LO1" means it is set to the lowest sensitivity setting.

➔ Press the **M/OK** button (14) to change the set value.

➔ Set the desired sensitivity level using the  $\sphericalangle$  or  $\sphericalangle$  button (5).

When you have finished making your changes,

➔ press the **M/OK** button (14).

To exit the menu,

➔ press the **ESC** button (6) or wait approx. 8 seconds.

#### Note:

You can set different sensitivity levels for FM and AM (MW/LW).

### Storing stations

#### Storing stations manually

➔ Select the desired memory bank (FM1, FM2, FMT) or one of the wavebands (MW or LW).

➔ Tune into the desired station.

➔ Press and hold down one of the station buttons **1 - 5** (13) for longer than two seconds to assign the station to that button.

### Storing stations automatically (Travelstore)

You can automatically store the five stations offering the strongest reception in the region (only FM). The stations are stored in the FMT memory bank.

#### Note:

Any stations that were previously stored in this memory bank are deleted in the process.

➔ Press and hold down the **BND/TS** button (4) for longer than two seconds.

The storing procedure begins. "FM TSTORE" appears on the display. After the process has completed, the radio will play the station that is stored in memory location 1 of the FMT memory bank.

### Listening to stored stations

➔ Select the memory bank or waveband.

➔ Press the station button **1 - 5** (13) of the desired station.

### Scanning receivable stations (SCAN)

You can use the scan function to play all the receivable stations briefly. You can set the scanning time from 5 to 30 seconds in the menu (in increments of 5 seconds).

#### Starting SCAN

➔ Press and hold down the **M/OK** button (14) for longer than two seconds.

Scanning begins. "SCAN", the station name or the frequency are intermittently shown on the display.



## Canceling the SCAN and continuing to listen to a station

➔ Press the **M/OK** button (14).

Scanning stops and the radio continues playing the station that it tuned into last.

## Setting the scanning time

➔ Press the **M/OK** button (14).

The display shows "MENU".

➔ Press the  $\sphericalangle$  or  $\sphericalangle$  button (5) repeatedly until "SCAN TIME" appears on the display.

➔ Press the **M/OK** button (14) to display the submenu.

"SCAN" and the currently set value are displayed.

➔ Set the desired scan time using the  $\sphericalangle$  or  $\sphericalangle$  button (5).

When you have finished making your changes,

➔ press the **M/OK** button (14).

To exit the menu,

➔ press the **ESC** button (6) or wait approx. 8 seconds.

### Note:

The defined scanning time is also applied by the system to scanning carried out in SD and CD changer mode.

## Programme type (PTY)

Besides transmitting the station name, some FM stations also provide information on the type of programme that they are broadcasting. Your car radio can receive and display this information.

For example, the programme types can be:

CULTURE	TRAVEL	JAZZ
SPORT	NEWS	POP
ROCK	MUSIC	

You can use the PTY function to select stations of a particular programme type.

### PTY-EON

If you specify the programme type and start seek tuning, the radio will switch from the current station to a station of the selected programme type.

### Notes:

- If the tuner does not find a station that corresponds to the selected programme type, you will hear a beep and "NO PTY" appears briefly in the display. The radio will then retune to the station that it received last.
- If the tuned radio station or another station on the broadcasting network broadcasts your selected programme type at a later point in time, the radio will automatically switch from the currently tuned station or from SD mode or CD-changer mode to the station whose programme type matches the one you selected.
- If you do not want this PTY EON switching, disable PTY. First, switch to radio mode with the **SRC** (15) or **BND/TS** button (4).

### Switching PTY on/off

The radio mode must be activated.

➔ Press the **M/OK** button (14).

The display shows "MENU".

➔ Press the  $\surd$  or  $\nabla$  button (5) repeatedly until "PTY ON" or "PTY OFF" appears on the display.

➔ Press the  $\>$  or  $\<$  button (5) to switch PTY ON or OFF.

When you have finished making your changes,

➔ press the **M/OK** button (14).

To exit the menu,

➔ press the **ESC** button (6) or wait approx. 8 seconds.

### Selecting the PTY language

You can select the language for the display of the programme types. Options include "DEUTSCH", "ENGLISH" and "FRANÇAIS".

➔ Press the **M/OK** button (14).

The display shows "MENU".

➔ Press the  $\surd$  or  $\nabla$  button (5) repeatedly until "PTY LANG" appears on the display.

➔ Press the **M/OK** button (14) to display the submenu.

The currently set language is displayed.

➔ Set the desired language using the  $\surd$  or  $\nabla$  button (5).

When you have finished making your changes,

➔ press the **M/OK** button (14).

To exit the menu,

➔ press the **ESC** button (6) or wait approx. 8 seconds.

### Selecting a programme type and starting seek tuning

PTY must be activated (ON).

➔ Press the  $\<$  or  $\>$  button (5).

The current programme type appears briefly on the display.

➔ During the display time, press the  $\<$  or  $\>$  button (5) to change to a different program type.

➔ Press the  $\surd$  or  $\nabla$  button (5) to start seek tuning.

The radio will then tune into the next station that it finds that corresponds to your selected programme type.

### Configuring the display

In radio mode, you have the option of displaying the waveband with memory bank and the time or station name or frequency of the current station.

To switch between the display options,

➔ press the **DIS**  $\odot$  button (9).

## Traffic information

Your device is equipped with an RDS-EON receiver. EON stands for Enhanced Other Network. Whenever a traffic announcement (TA) is broadcast, the system switches automatically from a station that does not provide traffic reports to the appropriate traffic information station within the broadcasting network that does.

Once the traffic report has been played, the system will switch back to the programme that you were listening to before.

In addition, the device offers the option of receiving traffic announcements even during the operation of SD/MMC, CD changer and external sources (AUX-IN). For this purpose, activate the priority for the traffic information.

### Switching traffic information priority on/off

➔ Briefly press the **TRAF** button (7).

The priority for traffic announcements is activated if the display shows the traffic jam symbol.

#### Notes:

You will hear a warning beep:

- If you leave the reception area of a traffic information station that the system is tuned into while listening to an SD, a CD in the changer or AUX-IN, and the subsequent automatic search cannot find a new traffic information station.
- If you retune the radio from a traffic information station to a station that does not broadcast traffic information.

If you hear the warning beep, you can either switch off traffic information priority or tune into a station that broadcasts traffic information.

### Skipping a traffic announcement

"TRAFFIC" is displayed during a traffic announcement. To cancel a traffic announcement without switching off the priority of traffic information:

➔ During the traffic announcement, press the **TRAF** button (7) once.

The previously active audio source is played again. If a traffic announcement is broadcast again, the device automatically switches it through again.

### Setting the volume for traffic announcements

➔ Press the **M/OK** button (14).

The display shows "MENU".

➔ Press the  $\nabla$  or  $\blacktriangleright$  button (5) repeatedly until "TA VOLUME" appears on the display.

➔ Press the **M/OK** button (14) to display the submenu.

"TA VOL" and the currently set value are displayed.

➔ Set the desired volume using the  $\nabla$  or  $\blacktriangleright$  button (5).

When you have finished making your changes,

➔ press the **M/OK** button (14).

To exit the menu,

➔ press the **ESC** button (6) or wait approx. 8 seconds.

**Notes:**

- If the volume listened to is higher than the set TA Volume, traffic announcements are played back at the volume listened to.
- Using the volume control (3), you can also adjust the volume during a traffic announcement for the duration of that announcement.
- You can adjust the volume distribution for traffic announcements during traffic reports. For further information, please read the "Sound" chapter.

- WMA files can only be played back safely if they were created with Windows Media Player version 8 or later.

## SD/MMC mode

You can play files with music data stored on SD/MMC cards (Secure Digital or Multi-Media Card) in MP3 or WMA format using this car sound system. The operation for playing MP3 and WMA files is identical.

**Note:**

Blaupunkt cannot guarantee the correct functioning of all SD/MMC cards available on the market and, for this reason, recommends the use of SD/MMC cards manufactured by "SanDisk" or "Pana-sonic".

For a perfect access to SD/MMC cards, observe the information in the following table when saving MP3/WMA titles on the SD/MMC card:

File system	FAT16 or FAT32, <b>no</b> NTFS!
ID3 tags	Version 1 or 2
Files	Only MP3 <b>or</b> WMA files, directories, playlists
Number	1,500 files (directories and tracks) per directory
Naming of files	File extension ".wma"/ ".mp3"
	Max. 24 characters (more characters are possible, but it reduces the max. number of files)
	<b>No</b> special characters or umlauts
Bit rate	MP3: 32 to 320 kbps WMA: 32 to 192 kbps

## Preparing MP3/WMA titles

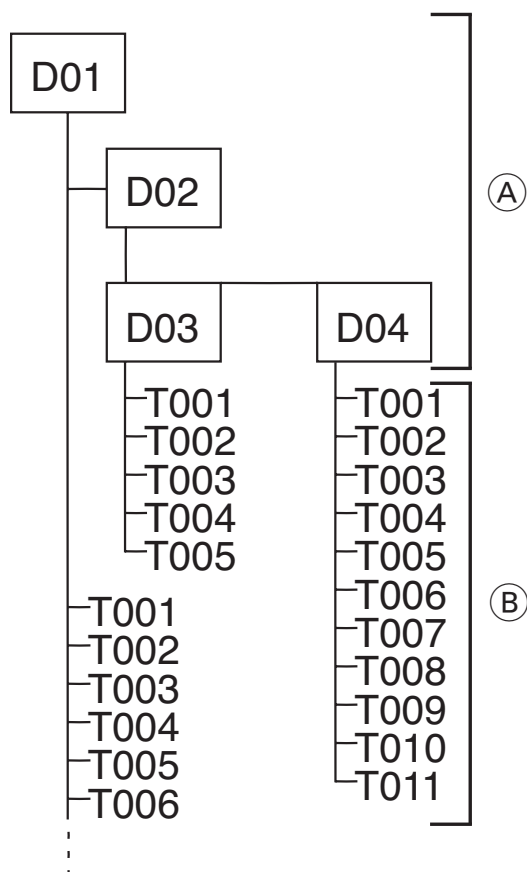
You can write data onto the SD/MMC cards with the help of a standard SD/MMC card reader and your PC.

**Notes:**

- WMA files with Digital Rights Management (DRM) from online music shops cannot be played with this device.

You can name each directory using a PC. The name of the directory is then shown on the display of the device.

If you like your files to be in the specific order, save the files on the card in the desired sequence in which you want to play them later.



- (A) Directories  
 (B) Tracks · Files

## Inserting/removing SD/MMC card

➔ Insert the SD/MMC card with its labelled side to the left and its contacts first into the card slot (10) until it clicks into place.

You can now select the SD/MMC card as audio source with the **SRC** button (15).

To remove the SD/MMC card,

➔ push on the SD/MMC card until it disengages.

➔ Pull the SD/MMC card out of the card slot (10).

## Switching to SD/MMC mode

➔ Press the **SRC** button (15) repeatedly until the display shows "SD Card".

The playback starts.

## Configuring the display

The following settings require that an SD card with MP3 or WMA files is in the device.

### Configuring the default display

You can display various types of information on the current track:

- File name or track name
- Artist
- Album name
- Play time (PLAY)
- Time (CLK)

#### Note:

The ID3 text changes to scrolling text with more than 9 characters. After one pass, the first 9 characters are permanently shown on the display.

To switch between the different display options,

➔ press the **DIS** (9) button (9).

## Selecting a directory

To move up or down to another directory,

➔ press the  $\nabla$  or  $\nearrow$  (5) button once or several times.

### Selecting tracks

To move up or down to another track in the current directory,

➔ press the < or > (5) button once or several times.

If you press the < button (5) once, the current track will be played again from the beginning.

### Fast seek tuning (audible)

To fast search backwards or forwards,

➔ press and hold down the < or > button (5) for longer than two seconds.

Seek tuning continues as long as you hold the button pressed.

### Repeating individual tracks or whole directories (REPEAT)

You can repeatedly play the current track or all tracks in the current directory.

➔ Press the **4 RPT** (13) button repeatedly until the desired function appears on the display:

- "RPT TRACK" (current track)
- "RPT DIR"  
(all tracks in the current directory)
- "RPT OFF" (end repeat)

If the repeat function is active, the display shows **RPT**.

### Random track play (MIX)

You can play either all tracks in the current directory or all tracks on the SD/MMC card in random order.

➔ Press the **5 MIX** (13) button repeatedly until the desired function appears on the display:

- "MIX ALL"  
(all tracks on the SD/MMC card)
- "MIX DIR"  
(all tracks in the current directory)
- "MIX OFF" (end playback in random order)

If the random track play (MIX) is active, the display shows **MIX**.

### Scanning tracks (SCAN)

You can scan all the tracks on the SD/MMC card.

➔ Press the **M/OK** button (14) for longer than two seconds.

The display changes between "SCAN" and the file name. The tracks of the SD/MMC are scanned in ascending order.

#### Note:

You can set the scanning time. For further information on setting the scanning time, please read the section entitled "Setting the scanning time" in the "Radio mode" chapter.

### Cancelling Scan and continuing listening to a track

➔ Briefly press the **M/OK** button (14).

The currently scanned track will then continue to be played normally.



## Interrupting playback (PAUSE)

➔ Press the **3**  button (13).

"PAUSE" appears on the display.

### Cancelling pause

➔ Press the **3**  button (13).

Playback is continued.

## CD-changer mode

### Note:

Information about handling CDs, inserting CDs and operating the CD changer can be found in the operating instructions supplied with your CD changer.

### Switching to CD-changer mode

➔ Press the **SRC** button (15) repeatedly until the display shows "CDC/AUX-IN".

The device starts playing the first CD that the CD changer detects.

### Selecting CDs

To move up or down to another CD,


➔ press the  or  (5) button once or several times.

### Note:

The device will ignore empty CD slots in the changer and slots containing invalid CDs.



## Selecting tracks

To move up or down to another track on the current CD,

➔ press the  or  (5) button once or several times.

### Fast seek tuning (audible)

To fast search backwards or forwards,

➔ press and hold down the  or  button (5) for longer than two seconds.

Seek tuning continues as long as you hold the button pressed.

### Configuring the display

Three options are available for the display in CD changer mode:

- Track number and playing time
- Track number and time
- CD number and track number

To switch between the different display options,

➔ press the **DIS**  button (9).

### Repeating individual tracks or whole CDs (REPEAT)

You can repeatedly play the current track or all tracks on the current CD.

➔ Press the **4 RPT** (13) button repeatedly until the desired function appears on the display:

- "RPT TRACK" (current track)
- "RPT DISC"  
(all tracks on the current CD)
- "RPT OFF" (end repeat)

If the repeat function is active, the display shows **RPT**.



## Random track play (MIX)

You can play either all tracks on the current CD or all CDs in the magazine in random order.

➡ Press the **5 MIX** (13) button repeatedly until the desired function appears on the display:

- "MIX CD" (all tracks on the current CD)
- "MIX ALL" (all CDs in the magazine)
- "MIX OFF" (end random order)

If the random track play (MIX) is active, the display shows **MIX**.

## Scanning all tracks on all CDs (SCAN)

To scan (briefly play) all the tracks on all the inserted CDs in ascending order,

➡ press the **M/OK** button (14) for longer than two seconds.

The display changes between "SCAN" and the track number. All CDs in the magazine are scanned in ascending order.

### Note:

You can set the scanning time. For further information, please read the section entitled "Setting the scanning time" in the "Radio mode" chapter.

## Cancelling Scan and continuing listening to a track

➡ Briefly press the **M/OK** button (14).

The currently scanned track will then continue to be played normally.

## Interrupting playback (PAUSE)

➡ Press the **3 ||▶** button (13).

"PAUSE" appears on the display.

## Cancelling pause

➡ Press the **3 ||▶** button (13).

Playback is continued.

## Clock – Time

### Displaying the time

You can display the time in the tuner, SD and CD changer mode.

➡ Press the **DIS** ⌚ button (9) until the time appears on the display.

### Setting the time

To set the time,

➡ press the **M/OK** button (14).

The display shows "MENU".

➡ Press the **∨** or **∧** button (5) repeatedly until "CLOCK SET" appears on the display.

➡ Press the **M/OK** button (14) to display the submenu.

The currently set time appears on the display. The hours flash and can be adjusted.

➡ Adjust the hours with the **∧** or **∨** button (5).

Once the hours are set,

➔ press the > button (5).

The minutes flash.

➔ Adjust the minutes with the ↶ or ↷ button (5).

When you have finished making your changes,

➔ press the **M/OK** button (14).

To exit the menu,

➔ press the **ESC** button (6) or wait approx. 8 seconds.

## Selecting 12/24-hour clock mode

➔ Press the **M/OK** button (14).

The display shows "MENU".

➔ Press the ↶ or ↷ button (5) repeatedly until "24 H MODE" or "12 H MODE" appears on the display.

➔ Press the < or > button (5) to change the mode.

When you have finished making your changes,

➔ press the **M/OK** button (14).

To exit the menu,

➔ press the **ESC** button (6) or wait approx. 8 seconds.

## Displaying the time with device and ignition switched off

To display the time when the device is off and the vehicle ignition is on,

➔ press the **M/OK** button (14).

The display shows "MENU".

➔ Press the ↶ or ↷ button (5) repeatedly until "CLOCK OFF" or "CLOCK ON" appears on the display.

➔ Press the < or > button (5) to switch the display between ON and OFF.

When you have finished making your changes,

➔ press the **M/OK** button (14).

To exit the menu,

➔ press the **ESC** button (6) or wait approx. 8 seconds.

## Sound

For every source (radio, SD/MMC, CD changer or AUX-IN), you can perform individual and separate settings for the sound (bass and treble) and the equalizer.

The settings for X-Bass and the volume distribution (balance and fader) are performed jointly for all audio sources (except for traffic announcements and telephone/navigation announcements).

Fader and balance can be adjusted for traffic reports and telephone calls/navigation announcements only during the announcement.

## Equalizer

This device features a digital 3-band equalizer. This equalizer allows for selecting one frequency each for bass, treble and middle and to adjust the level for the selected frequency. In addition, you can adjust the quality factor for bass and middle.

## Equalizer settings

The following table shows the bass, treble and equalizer setting options in the "AUDIO" menu. Some settings feature an "E" (for "ENHANCED"), e.g. "E-BASS". These settings are performed in the "ENHANCED" submenu.

### Note:

The table does **not** contain all the settings that are possible in the menus "AUDIO" and "ENHANCED".

	Audio				
	BASS	TREBLE	ENHANCED		
			E-BASS	E-TREBLE	E-MIDDLE
Level (GAIN)	-7 to +7	-7 to +7	-	-	-7 to +7
Frequency (FREQ)	-	-	60 Hz, 80 Hz, 100 Hz or 200 Hz	10 kHz, 12.5 kHz, 15 kHz or 17.5 kHz	0.5 kHz, 1.0 kHz, 1.5 kHz or 2.5 kHz
Quality factor (QFAC)	-	-	1.0, 1.25, 1.5 or 2.0	-	0.5, 0.75, 1.0 or 1.25

### Adjusting bass

To adjust the level of the bass,

➔ press the **AUDIO** button (12).

"BASS" appears on the display.

➔ Press the > button (5) to call up the submenu.

"BASS" and the currently set value for the level are displayed.

➔ Press the √ or ↶ button (5) to change the value.

When you have finished making your changes,

➔ press the **AUDIO** button (12).

### Adjusting TREBLE

To adjust the level of the treble,

➔ press the **AUDIO** button (12).

"BASS" appears on the display.

➔ Press the √ or ↶ button (5) repeatedly until "TREBLE" appears on the display.

➔ Press the > button (5) to call up the submenu.

"TREBLE" and the currently set value for the level are displayed.

➔ Press the √ or ↶ button (5) to change the value.

When you have finished making your changes,

➔ press the **AUDIO** button (12).

## Adjusting E-BASS

To set the frequency and the quality factor of the bass,

- press the **AUDIO** button (12).
- "BASS" appears on the display.
- Press the  $\sphericalangle$  or  $\sphericalleftarrow$  button (5) repeatedly until "ENHANCED" appears on the display.
- Press the **M/OK** button (14) to display the submenu.
- "E-BASS" appears on the display.
- Press the  $\sphericalrightarrow$  button (5) to call up the submenu.

"FREQ" and the currently set value are displayed.

- Press the  $\sphericalangle$  or  $\sphericalleftarrow$  button (5) to select between "FREQ" (frequency) and "QFAC" (quality factor).
- Press the  $\sphericalleftarrow$  or  $\sphericalrightarrow$  button (5) to change the selected setting.

When you have finished making your changes,

- press the **AUDIO** button (12).

## Adjusting E-TREBLE

To adjust the frequency of the treble,

- press the **AUDIO** button (12).
- "BASS" appears on the display.
- Press the  $\sphericalangle$  or  $\sphericalleftarrow$  button (5) repeatedly until "ENHANCED" appears on the display.
- Press the **M/OK** button (14) to display the submenu.
- "E-BASS" appears on the display.
- Press the  $\sphericalangle$  or  $\sphericalleftarrow$  button (5) repeatedly until "E-TREBLE" appears on the display.

- Press the  $\sphericalrightarrow$  button (5) to call up the submenu.

"FREQ" (frequency) and the currently set value are displayed.

- Press the  $\sphericalleftarrow$  or  $\sphericalrightarrow$  button (5) to change the selected setting.

When you have finished making your changes,

- press the **AUDIO** button (12).

## Adjusting E-MIDDLE

To set the gain, the frequency and the quality factor of the middle,

- press the **AUDIO** button (12).
- "BASS" appears on the display.
- Press the  $\sphericalangle$  or  $\sphericalleftarrow$  button (5) repeatedly until "ENHANCED" appears on the display.
- Press the **M/OK** button (14) to display the submenu.
- "E-BASS" appears on the display.
- Press the  $\sphericalangle$  or  $\sphericalleftarrow$  button (5) repeatedly until "E-MIDDLE" appears on the display.
- Press the  $\sphericalrightarrow$  button (5) to call up the submenu.

"GAIN" and the currently set value are displayed.

- Press the  $\sphericalangle$  or  $\sphericalleftarrow$  button (5) to select between "GAIN", "FREQ" (frequency) and "QFAC" (quality factor).
- Press the  $\sphericalleftarrow$  or  $\sphericalrightarrow$  button (5) to change the selected setting.

When you have finished making your changes,

- press the **AUDIO** button (12).

### Setting the left/right volume distribution (balance)

➤ Press the **AUDIO** button (12).

"BASS" appears on the display.

➤ Press the  $\sphericalangle$  or  $\sphericalangle$  button (5) repeatedly until "BALANCE" appears on the display.

➤ Press the  $\sphericalangle$  button (5) to call up the submenu.

"BAL" and the currently set value are displayed.

➤ Press the  $\sphericalangle$  or  $\sphericalangle$  button (5) to adjust the volume distribution right (R)/left (L).

When you have finished making your changes,

➤ press the **AUDIO** button (12).

### Adjusting the front/rear volume distribution (fader)

➤ Press the **AUDIO** button (12).

➤ "BASS" appears on the display.

➤ Press the  $\sphericalangle$  or  $\sphericalangle$  button (5) repeatedly until "Fader" appears on the display.

➤ Press the  $\sphericalangle$  button (5) to call up the submenu.

"FADER" and the currently set value are displayed.

➤ Press the  $\sphericalangle$  or  $\sphericalangle$  button (5) to adjust the volume distribution front (F)/rear (R).

When you have finished making your changes,

➤ press the **AUDIO** button (12).

### Equalizer presettings (presets)

This device features an equalizer in which the settings for the music genres "ROCK", "POP" and "CLASSIC" are already programmed.

To select an equalizer preset,

➤ press the **AUDIO** button (12).

"BASS" appears on the display.

➤ Press the  $\sphericalangle$  or  $\sphericalangle$  button (5) repeatedly until "ENHANCED" appears on the display.

➤ Press the **M/OK** button (14) to display the submenu.

"E-BASS" appears on the display.

➤ Press the  $\sphericalangle$  or  $\sphericalangle$  button (5) repeatedly until "PRESETS" appears on the display.

➤ Press the  $\sphericalangle$  button (8) repeatedly to call up the submenu.

The current presetting is displayed.

➤ Press the  $\sphericalangle$  or  $\sphericalangle$  button (8) to change the selected setting. Select "P-EQ OFF" to switch off the equalizer.

When you have finished making your changes,

➤ press the **AUDIO** button (12).

## X-BASS

X-BASS allows you to increase the bass at low volume. The selected X-Bass settings are effective for all audio sources (radio, SD/MMC, CD changer or AUX-IN).

You have two options of adjusting X-BASS: You can adjust the X-BASS boost and the cut-off frequency to be boosted. The X-BASS boost can be changed in both submenus, "X-BASS" and "E-XBASS". The following table shows the setting options in the "AUDIO" menu.

	Audio	
	X-BASS	ENHANCED
		E-XBASS
Boost (GAIN)	0 to 3	
Frequency (FREQ)	-	400 Hz, 800 Hz, 2400 Hz, FLAT

### Adjusting the X-BASS boost

The X-BASS boost can be set to levels 0 (X-Bass function off) to 3.

➔ Press the **AUDIO** button (12).

"BASS" appears on the display.

➔ Press the  $\sphericalangle$  or  $\sphericalright$  button (5) repeatedly until "X-BASS" appears on the display.

➔ Press the  $\sphericalright$  button (5) to call up the submenu.

"X-BASS" and the currently set value are displayed.

➔ Press the  $\sphericalleft$  or  $\sphericalright$  button (5) repeatedly until the desired setting appears on the display.

When you have finished making your changes,

➔ press the **AUDIO** button (12).

### Adjusting E-XBASS

In the "E-XBASS" submenu, you can also adjust the cut-off frequency in addition to the X-BASS boost. You can select from 50 Hz, 100 Hz and 200 Hz.

➔ Press the **AUDIO** button (12).

"BASS" appears on the display.

➔ Press the  $\sphericalleft$  or  $\sphericalright$  button (5) repeatedly until "ENHANCED" appears on the display.

➔ Press the **M/OK** button (14) to display the submenu.

"E-BASS" appears on the display.

➔ Press the  $\sphericalleft$  or  $\sphericalright$  button (5) repeatedly until "E-XBASS" appears on the display.

➔ Press the  $\sphericalright$  button (5) to call up the submenu.

"GAIN" and the currently set value are displayed.

➔ Press the  $\sphericalleft$  or  $\sphericalright$  button (5) to select between "GAIN" (X-BASS boost) and "FREQ" (frequency).

➔ Press the  $\sphericalleft$  or  $\sphericalright$  button (5) to change the selected setting.

When you have finished making your changes,

➔ press the **AUDIO** button (12).



## Display

If you switch on the vehicle illumination, the display brightness switches day mode to night mode. This requires that your car sound system is connected as described in the installation instructions. Your vehicle must feature the corresponding connection option.

### Adjusting the display brightness

You can adjust the display brightness separately for night (DIM NIGHT) and day (DIM DAY) in steps ranging from 1 to 16.

➔ Press the **M/OK** button (14).

The display shows "MENU".

➔ Press the  $\sphericalangle$  or  $\sphericalangle$  button (5) repeatedly until "DIM DAY" or "DIM NIGHT" appears on the display.

➔ Press the **M/OK** button (14) to display the submenu.

"DIM DAY" or "DIM NIGHT" and the currently set value are displayed.

➔ Press the  $\sphericalangle$  or  $\sphericalangle$  button (5) to adjust the brightness.

When you have finished making your changes,

➔ press the **M/OK** button (14).

To exit the menu,

➔ press the **ESC** button (6) or wait approx. 8 seconds.

## External audio sources

External audio sources, such as portable CD players, MiniDisc players or MP3 players, can be connected to the device in two ways.

1. To the rear AUX-IN input (if no CD changer is connected to the device).

The **SRC** button (15) allows for selecting the rear AUX-IN input. The display then shows "CD / AUX-IN".

### Note:

An adapter cable is needed to connect an external audio source to the rear AUX-IN input. You can obtain this cable (Blaupunkt no.: 7 607 897 093) from your Blaupunkt dealer.

2. To the front AUX-IN socket.

As soon as an audio source is connected to the front AUX-IN socket, it can be selected with the **SRC** button (15). The display then shows "FRONT AUX-IN".



## Factory settings (Normset)

You can reset the device to the factory settings.

### Note:

Your personal settings are deleted during reset (Normset).

➔ Press the **M/OK** button (14).

The display shows "MENU".

➔ Press the **↵** or **↶** button (5) repeatedly until "NORMSET" appears on the display.

➔ Press the **M/OK** button (14) to display the submenu.

"NORM OFF" appears on the display.

To reset the device to the factory settings,

➔ press the **M/OK** button (14) for longer than 4 seconds.

"NORM ON" appears on the display and the device is reset.

## Factory settings:

Volume of traffic announcements (TA VOL)	30
Power-on volume (ON VOL)	Last Volume
Volume of muting (MUTE LEVEL)	0
Volume of telephone/navigation announcement (TEL VOL)	25 (RDS) or 10 (NRDS)
Seek tuning sensitivity (SENS)	H16
Scan time (SCAN TIME)	10 seconds
Programme type (PTY)	OFF
PTY language (PTY LANG)	ENGLISH
Time display (CLOCK)	OFF
Time (CLOCK SET)	0:00 (RDS) or 12:00 (NRDS)
Time display mode (CLOCK MODE)	24 HR (RDS) or 12 HR (NRDS)
Confirmation beep (BEEP)	ON
Regional function (REG)	OFF
Display brightness	DIM DAY 15, DIM NIGHT 12
RDS	ON

## Specifications

### Amplifier

Output power: 4 x 18 watt sine  
acc. to DIN 45 324  
at 14.4 V  
4 x 45 watt  
max. power

### Tuner

Wavebands in Europe:

FM : 87.5 - 108 MHz  
MW : 531 - 1 602 kHz  
LW : 153 - 279 kHz

FM frequency response:  
35 - 16,000 Hz

### SD card/MMC

Frequency range: 20 - 20,000 Hz

### Pre-amp out

4 channels: 2 V

### Input sensitivity

AUX-IN input  
(rear): 2 V / 6 k $\Omega$   
AUX-IN input (front): 2 V / 6 k $\Omega$   
Tel./Navi input: 10 V / 1 k $\Omega$

### Weight

0.8 kg

Subject to changes!

## Einbauanleitung

---



### Sicherheitshinweise

Für die Dauer der Montage und des Anschlusses beachten Sie bitte folgende Sicherheitshinweise.

- Minuspol der Batterie abklemmen! Dabei die Sicherheitshinweise des Kfz- Herstellers beachten.
- Beim Bohren von Löchern darauf achten, dass keine Fahrzeugteile beschädigt werden.
- Der Querschnitt des Plus- und Minuskabels darf 1,5 mm<sup>2</sup> nicht unterschreiten.
- **Fahrzeugseitige Stecker nicht an das Radio anschließen!**
- Die für Ihren Fahrzeugtyp erforderlichen Adapterkabel erhalten Sie im BLAUPUNKT – Fachhandel.
- Je nach Bauart kann Ihr Fahrzeug von dieser Beschreibung abweichen. Für Schäden durch Einbau- oder Anschlussfehler und für Folgeschäden übernehmen wir keine Haftung.

Sollten die hier aufgeführten Hinweise für Ihren Einbau nicht passen, so wenden Sie sich bitte an Ihren Blaupunkt-Fachhändler, Ihren Fahrzeughersteller oder unsere Telefon-Hotline.

Bei Einbau eines Amplifier oder Changers müssen unbedingt erst die Gerätemassen angeschlossen werden, bevor die Stecker für die Line-In- oder Line-Out-Buchse kontaktiert werden.

Fremdgerätemassen dürfen nicht an der Autoradiomasse (Gehäuse) angeschlossen werden.

---



## Installation instructions

---



### Safety instructions

When carrying out installation work and making connections please observe the following safety instructions:

- Disconnect the negative terminal of the battery! When doing so, please observe the vehicle manufacturer's safety instructions.
- Make sure you do not damage vehicle components when drilling any holes.
- The cross sections of the positive and negative cables must not be less than 1.5 mm<sup>2</sup>.
- **Do not connect the vehicle's plug connectors to the radio!**
- You can obtain the adapter cable required for your vehicle type from any BLAUPUNKT dealer.
- Depending on the model, your vehicle may differ from the description provided here. We accept no responsibility for any damages due to incorrect installation or connection or for any consequential damages.

If the information provided here is not suitable for your specific instal-

lation requirements, please contact your Blaupunkt dealer, your vehicle manufacturer or our telephone hotline.

When installing an amplifier or changer, you must first connect the device earth connections before connecting the plugs for the line-in or line-out jacks.

**Earth connection of external devices may not be connected to earth of car sound system (housing).**

Si les indications décrites ici ne s'appliquent au montage que vous voulez effectuer, adressez-vous à votre revendeur Blaupunkt, votre constructeur automobile ou notre service d'assistance téléphonique.

Pour le montage d'un amplificateur ou changeur, les masses d'appareil doivent être d'abord connectées avant de connecter les fiches pour les connecteurs Line In ou Line Out.

**Les masses des appareils externes ne doivent pas être raccordées à la masse de l'autoradio (boîtier).**

## F Notice de montage

### Consignes de sécurité

Respecter les consignes de sécurité suivantes pendant la durée du montage et du branchement.

- Débrancher le pôle (-) de la batterie ! Respecter les consignes de sécurité du constructeur automobile !
- Veiller à n'endommager aucune pièce du véhicule en perçant des trous.
- La section du câble (+) et (-) ne doit pas dépasser 1,5 mm<sup>2</sup>.
- **Ne pas brancher les connecteurs du véhicule sur la radio !**
- Les câbles d'adaptation nécessaires pour le type de véhicule sont disponibles auprès des revendeurs BLAUPUNKT.
- En fonction du modèle, votre véhicule peut différer de cette description. Nous déclinons toute responsabilité en cas de dommages causés par des erreurs de montage ou de connexion et en cas de dommages consécutifs.

## I Istruzioni di installazione

### Note di sicurezza

Durante il montaggio e l'allacciamento osservate per favore le seguenti istruzioni sulla sicurezza.

- Staccate il polo negativo della batteria! Nel fare ciò osservate le istruzioni di sicurezza del fabbricante d'auto.
- Quando praticate dei fori, fate attenzione a non danneggiare nessuna parte dell'autovettura.
- La sezione dei cavi positivi e negativi non deve essere mai inferiore a 1,5 mm<sup>2</sup>.
- **Non collegate alla radio le spine in dotazione di autovettura!**
- Richiedete ad un negoziante specializzato in articoli BLAUPUNKT il cavo di adattamento richiesto per il vostro modello di autovettura.

- 
- A seconda del modello il Suo veicolo può differire da questa descrizione. Non forniamo garanzia per danni derivanti da errori di montaggio o di collegamento e per danni conseguenti.

Se le indicazioni qui elencate non sono adatte al Suo montaggio, La preghiamo di rivolgersi al Suo rivenditore Blaupunkt, al fabbricante dell'auto o alla nostra hotline telefonica.

Quando vengono montati un amplificatore o un multiletto CD, bisogna innanzi tutto allacciare le masse degli apparecchi prima di eseguire la connessione delle spine con le prese line-in e line-out.

**Le masse di altri apparecchi non devono essere collegate alla massa dell'autoradio (involucro).**

---

## Inbowhandleiding

---



### Adviezen voor de veiligheid

Wilt u dedurende het monteren en aansluiten de volgende veiligheidsadviezen in acht nemen.

- De minpool van de batterij afklemmen! De veiligheidsadviezen van de fabrikant in acht nemen.
- Bij het gaten boren erop letten dat geen voertuigonderdelen worden beschadigd.
- De dwarsdoorsnede van de plus- en minkabel mag niet minder dan 1,5 mm<sup>2</sup> zijn.
- **Stekker aan de voertuigkant niet aan de radio aansluiten!**

- de voor uw voertuig vereiste adapterkabel is bij de BLAUPUNKT-vakhandel verkrijgbaar!

- Afhankelijk van de uitvoering kan uw auto afwijken van deze beschrijving. Voor schade door fouten in montage of aansluiting en schade als gevolg daarvan aanvaarden wij geen aansprakelijkheid.

Mochten de hier vermelde aanwijzingen voor de montage voor u niet van toepassing zijn, dan kunt u contact opnemen met uw Blaupunkt-vakhandel, uw autofabrikant of onze telefoon-hotline.

Bij inbouw van een versterker of cd-wisselaar moeten eerst de massacontacten van de apparaten worden verbonden voordat de stekkers voor de line-in- of line-out-bussen worden aangesloten.

**De massa van andere apparaten mag niet aan de massa van de autoradio (huis) worden aangesloten.**

---

## Monteringsanvisning

---



### Skyddsanvisningar

Vänligen beakta följande skyddsanvisningar under pågående montage och anslutning.

- Lossa polskon från batteriets minuspol! Följ därvid fordonstillverkarens skyddsanvisningar.
- Se till att inga av fordonets komponenter skadas i samband med borring av hål.
- Plus- och minuskabellns ledningsarea måste vara minst 1,5 mm<sup>2</sup>.

- 
- **Fordonets stickkontakt får inte anslutas till radion!**
  - Din BLAUPUNKT fackhandel tillhandahåller för resp fordonstyp erforderlig adapterkabel.
  - Beroende på konstruktionstyp kan fordonet avvika från denna beskrivning. Vi fransäger oss allt ansvar för skada eller följdskada pga. felaktig montering eller anslutning.

Om här givna monteringsanvisningar ej stämmer överens med faktiska förhållanden, vänligen kontakta Blaupunkt fackhandel, representant för fordonets tillverkare eller vår telefonkundtjänst.

Vid montering av förstärkare eller cd-växlare måste först apparatstommen jordas, innan stickpropparna ansluts till in- eller utgångarna (hylstag line-in resp line-out).

**Jord från andra apparater får inte anslutas till bilradions jord (höljet).**

---

- La sección transversal del cable positivo y del cable negativo no debe ser menor de 1,5 mm<sup>2</sup>.
- **¡No conecte a la radio los conectores ubicados en el vehículo!**
- Los cables adaptadores necesarios para su vehículo los encontrará en el comercio especializado en artículos de la marca BLAUPUNKT.
- Dependiendo del modelo, es posible que su vehículo varíe un poco con respecto a la descripción aquí dada. Tenga en cuenta que no asumimos ninguna responsabilidad por los daños debidos a un montaje o conexión incorrectos ni por los daños resultantes.

Si las instrucciones aquí dadas no son aptas para el montaje en su vehículo, póngase en contacto con su proveedor de artículos Blaupunkt o con el fabricante del vehículo, o llame a nuestro teléfono de atención al cliente.

En caso de montar un amplificador o un cambiadiscos, es necesario conectar la puesta a tierra de las unidades antes de establecer el contacto de los conectores para las hembrillas Line-In y Line-Out.

**No deben conectarse masas de otros equipos a la masa de la radio (carcasa).**

---

## **E Instrucciones de instalación**



### **Normas de seguridad**

Durante el montaje y la conexión es imprescindible observar las siguientes normas de seguridad.

- Desemborne el polo negativo de la batería. Observe las normas de seguridad dadas por el fabricante del vehículo.
- Al perforar agujeros, asegúrese de no dañar ninguna pieza del vehículo.



---

## **P** Instruções de montagem

---



### Instruções de segurança

Durante a montagem e a ligação do aparelho, queira respeitar as seguintes instruções de segurança.

- Separar o pólo negativo da bateria! Respeitar ao mesmo tempo as instruções de segurança do fabricante do automóvel.
- Quando se procede à furagem de buracos, prestar atenção para não serem danificadas quaisquer partes do veículo.
- As secções transversais dos cabos positivo e negativo não devem ser inferiores a 1,5 mm<sup>2</sup>.
- **Não ligar as fichas existentes do lado do automóvel ao auto-rádio!**
- Os cabos adaptadores necessários para o seu automóvel podem ser adquiridos nos revendedores da BLAUPUNKT.
- O seu veículo pode divergir desta descrição em função do modelo. Não assumimos qualquer responsabilidade por erros de montagem ou de ligação nem por danos daí decorrentes. Caso as presentes instruções não sejam adequadas para a montagem no seu veículo, dirija-se ao revendedor da Blaupunkt, ao fabricante do seu veículo ou à nossa linha verde.

No caso de montagem de um amplificador ou leitor multi-CD, é imprescindível ligar primeiro os aparelhos à terra antes

de se conectar as fichas às tomadas Line In ou Line Out.

**A massa de aparelhos externos não deve ser ligada à massa do auto-rádio (caixa).**

---



## Monteringsvejledning

---



### Sikkerhedshenvisninger

Under monteringen og tilslutningen skal følgende sikkerhedshenvisninger iagttages.

- Batteriets negative pol skal afbrydes! Herved skal bilfabrikantens sikkerhedshenvisninger iagttages.
- Vær opmærksom på, at ingen bildele ødelægges under boringen af huller.
- Tværsnittet af plus- og minuskablet må ikke underskride 1,5 mm<sup>2</sup>.
- **Bilens stik må ikke tilsluttes radioen!**
- De nødvendige adapterkabler til din biltype kan købes hos BLAUPUNKT-specialforretningen.
- Alt efter konstruktion kan bilen afvige fra denne beskrivelse. For skader på grund af monterings- eller tilslutningsfejl og for følgeskader overtager vi intet ansvar.

Hvis de her anførte henvisninger til monteringen ikke skulle passe, kontakt din Blaupunkt-specialforretning, bilfabrikanten eller vor telefon-hotline.

Ved montering af en forstærker eller et Multi CD-apparat skal apparaternes

stel først tilsluttes, før stikkene for tilslutningerne Line-In eller Line-Out sættes i.

**Eksterne enheders stelforbindelse må ikke sluttes til bilradioens stelforbindelse (kabinet).**

## PL Instrukcja montażowa

### Wskazówki bezpieczeństwa

Podczas montażu i podłączania należy przestrzegać poniższych wskazówek bezpieczeństwa.

- Odłączyć biegun ujemny akumulatora! Przestrzegać wskazówek bezpieczeństwa producenta pojazdu.
- Przy wierceniu otworów uważać, aby nie uszkodzić któregoś z urządzeń pokładowych pojazdu.
- Przekrój kabla plusowego i minusowego nie może być mniejszy niż 1,5 mm<sup>2</sup>.
- **Nie podłączać wtyczek samochodu do radia!**
- Odpowiedni dla danego typu pojazdu przewód-adapter można nabyć u autoryzowanego sprzedawcy produktów BLAUPUNKT.
- Zależnie od marki i modelu, konstrukcja Państwa pojazdu może niekiedy odbiegać od podanego tu opisu. Firma Blaupunkt wyklucza wszelką odpowiedzialność za szkody spowodowane błędnym montażem i instalacją urządzenia.

W przypadku, gdy podane tu wskazówki nie znajdują zastosowania w Państwa

pojeździe, prosimy skontaktować się z autoryzowanym sprzedawcą produktów Blaupunkt, producentem pojazdu lub zadzwonić do naszej infolinii.

Przy montażu wzmacniacza lub zmienarki należy koniecznie najpierw podłączyć masy urządzeń, zanim połączona zostanie wtyczka do gniazda Line-In lub Line-Out.

**Do masy radioodtworacza (obudowa) nie wolno podłączać masy obcych urządzeń.**

## CZ Návod k montáži

### Bezpečnostní pokyny

Během montáže a připojení dodržujte prosím následující bezpečnostní pokyny.

- Odpojte záporný pól akumulátoru! Přitom dodržujte bezpečnostní pokyny výrobce vozidla.
- Při vrtání otvorů dbejte na to, abyste nepoškodili žádné díly vozidla.
- Průřez kabelu plus a minus pólu musí být minimálně 1,5 mm<sup>2</sup>.
- **Konektory od vozidla nepřipojujte k rádiu!**
- Adaptérový kabel potřebný pro vaše vozidlo obdržíte ve specializované prodejně BLAUPUNKT.
- V závislosti na konstrukci se může postup u vašeho vozidla od zde popsaného postupu lišit. Za škody způsobené montáží nebo připojením nepřebíráme žádné ručení.

---

Pokud zde uvedené pokyny pro montáž neodpovídají vašemu vozidlu, obraťte se na specializovaného prodejce Blaupunkt, výrobce vozidla nebo naši horkou linku.

Při montáži zesilovače nebo měničů, předtím než budou konektory zapojeny do zdířek Line-in nebo Line-out, musí být nejprve bezpodmínečně připojeny kostry přístrojů.

**Kostry jiných přístrojů nesmí být připojeny na kostru autorádia (kryt přístroje).**

---

pripojením nepreberáme záruku.

Ak by tu uvedené pokyny na montáž nezodpovedali vášmu vozidlu, obráťte sa prosím na špecializovaného predajcu fy Blaupunkt, výrobcu vášho vozidla alebo na našu zákaznícku linku.

Pri montáži zosilňovača alebo meniča je bezpodmienečne nutné najprv zapojiť kostru prístroja, než sa nakontaktujú zástrčky do zásuvky Line-In alebo Line-Out.

**Kostry cudzích prístrojov sa nesmú napojiť na kostru (schránku) autorádia.**

---

## Montážny návod

---



### Bezpečnostné pokyny

Počas montáže a zapojenia rešpektujte následné bezpečnostné pokyny.

- Odpojte záporný pól akumulátora! Rešpektujte pri tom bezpečnostné pokyny výrobcu vozidla.
- Pri vŕtaní otvorov dávajte pozor na to, aby sa nepoškodili žiadne diely vozidla.
- Priez kábľa kladného a záporného pólu nesmie byť menší ako 1,5 mm<sup>2</sup>.
- **Koncovky elektroinštalácie vozidla sa do rádia nesmú zapojiť!**
- Potrebný kábel s adaptérom pre vaše vozidlo obdržíte v špecializovaných predajniach BLAUPUNKT.
- V závislosti od konštrukcie sa môže postup pri vašom vozidle od tu popísaného postupu líšiť. Za škody spôsobené montážou alebo neodborným

**Mitgelieferte Montage- und  
Anschlusssteile**

**Supplied Mounting Hardware**

**Materiel de montage fourni**

**Componenti di fissaggio comprese  
nella fornitura**

**Meegeleverde montagematerialen**

**Medföljande monteringsdetaljer**

**Ferretería de montaje suministrada**

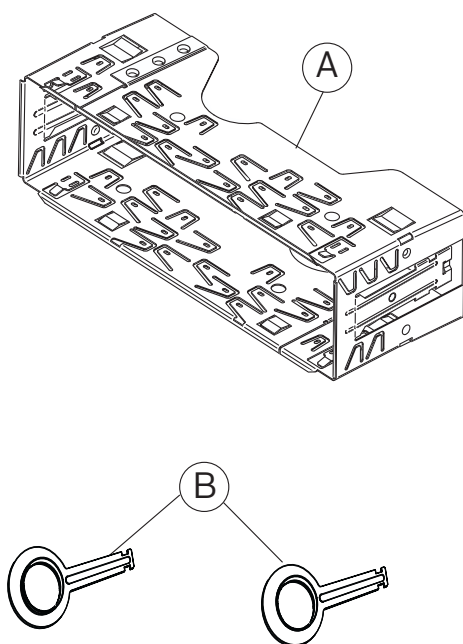
**Elementos de fixação fornecidos**

**Medleverede monterings- og  
tilslutningsdele**

**Dołączone części montażowe i  
połączeniowe**

**Přiložené montážní díly a přípojně  
svorky**

**Dodávané montážne a pripojovacie  
dielce**



**Als Sonderzubehör erhältlich**

**Available as an optional accessory**

**Disponibile en option**

**Reperibili come accessori extra**

**Als speciale accessoire verkrijgbaar**

**Tillval**

**De venta como accesorios especiales**

**Disponíveis como acessórios  
opcionais**

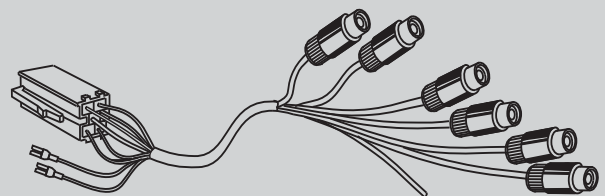
**Fås som specialtilbehør**

**Dostępne jako wyposażenie dodatkowe**

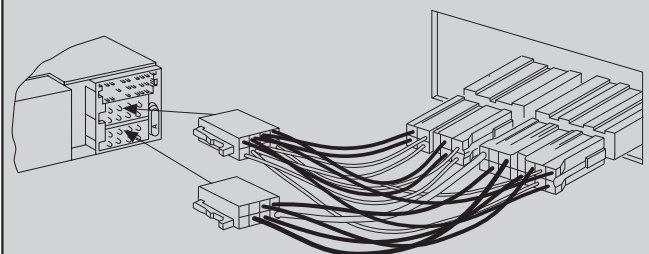
**Jako zvláštní příslušenství můžete  
obdržet**

**Ako osobitné príslušenstvo dostanete**

**Preamp./Sub./Center - out cable**

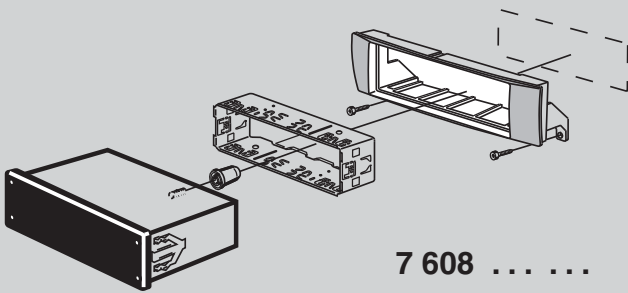


**7 607 001 512**

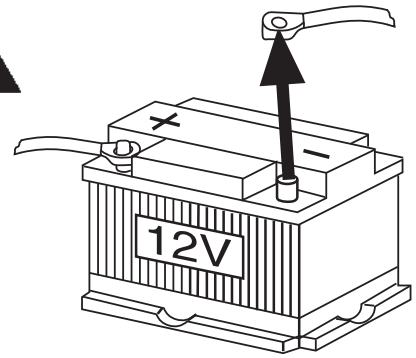


**7 607 621 ...**

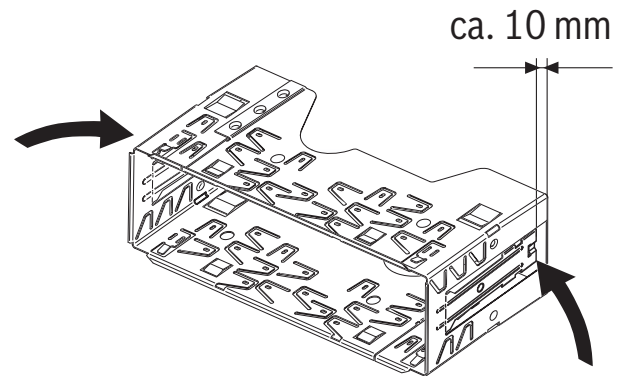
**Einbausätze**  
**Installation kits**  
**Kits de montage**  
**Set di montaggio**  
**Inbouwsets**  
**Monteringsatser**  
**Juegos de montaje**  
**Kits de montagem**  
**Indbygningssæt**  
**Zestawy montażowe**  
**Montážní soupravy**  
**Montážne súpravy**



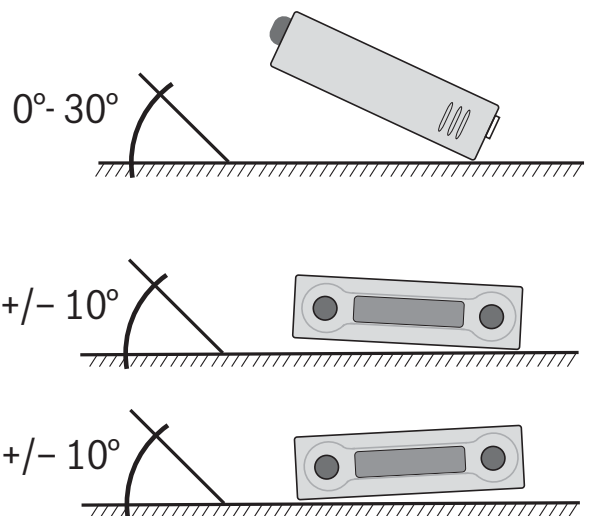
1.



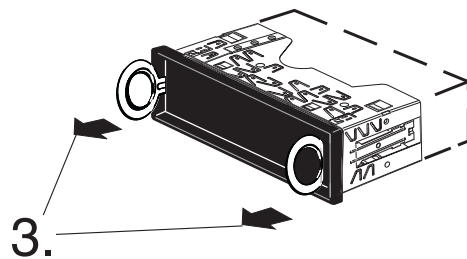
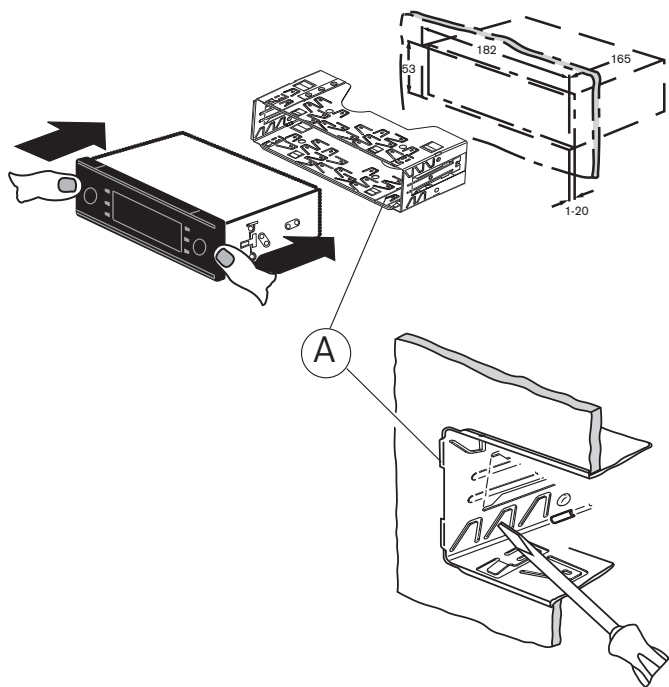
2.



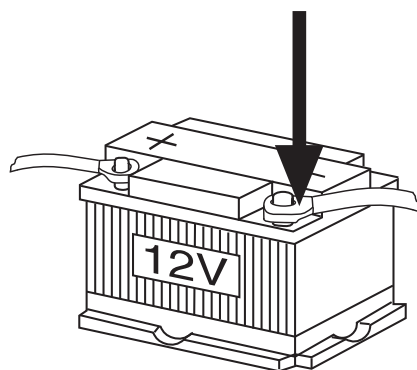
3.



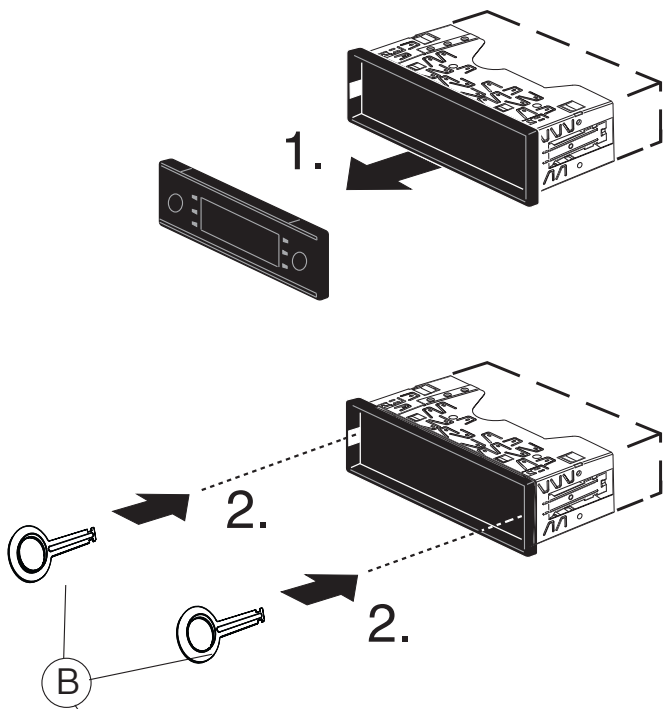
4.



6.



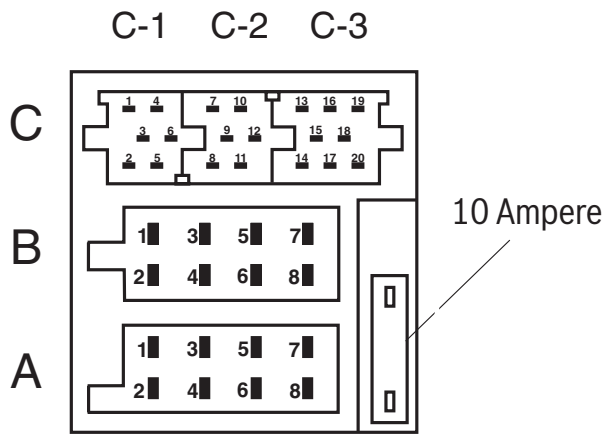
**5. Ausbau / Removal / Démontage /  
Smontaggio / Demontage /  
Urmontering / Desmontaje /  
Desmontagem / Udbygning /  
Demontaž / Demontáž / Demontáž**



8 613 150 002



7.



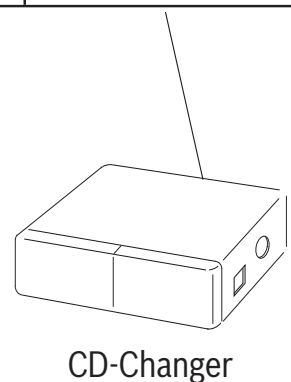
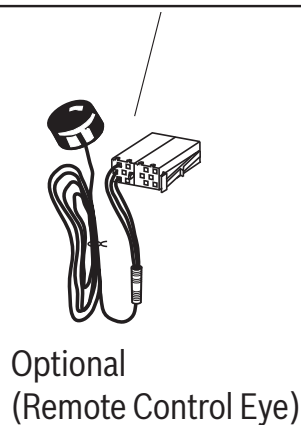
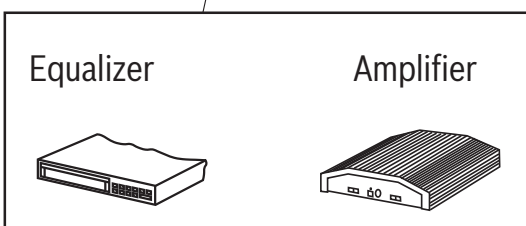
- Aut. antenna  
 \* - FB +12V / RC +12V  
 - +12V Amplifier

Summe  
 Sum  
 Somme  
 Somma  
 Som  
 Summa  
 Suma  
 Soma  
 Celkem  
 Súčet

300 mA

A		B	
1	No connection	1	Speaker out RR+
2	Radio Mute	2	Speaker out RR-
3	No connection	3	Speaker out RF+
4	Permanent +12V	4	Speaker out RF-
5	Aut. antenna	5	Speaker out LF+
6	Illumination	6	Speaker out LF-
7	Kl.15/Ignition*	7	Speaker out LR+
8	Masse/GND	8	Speaker out LR-

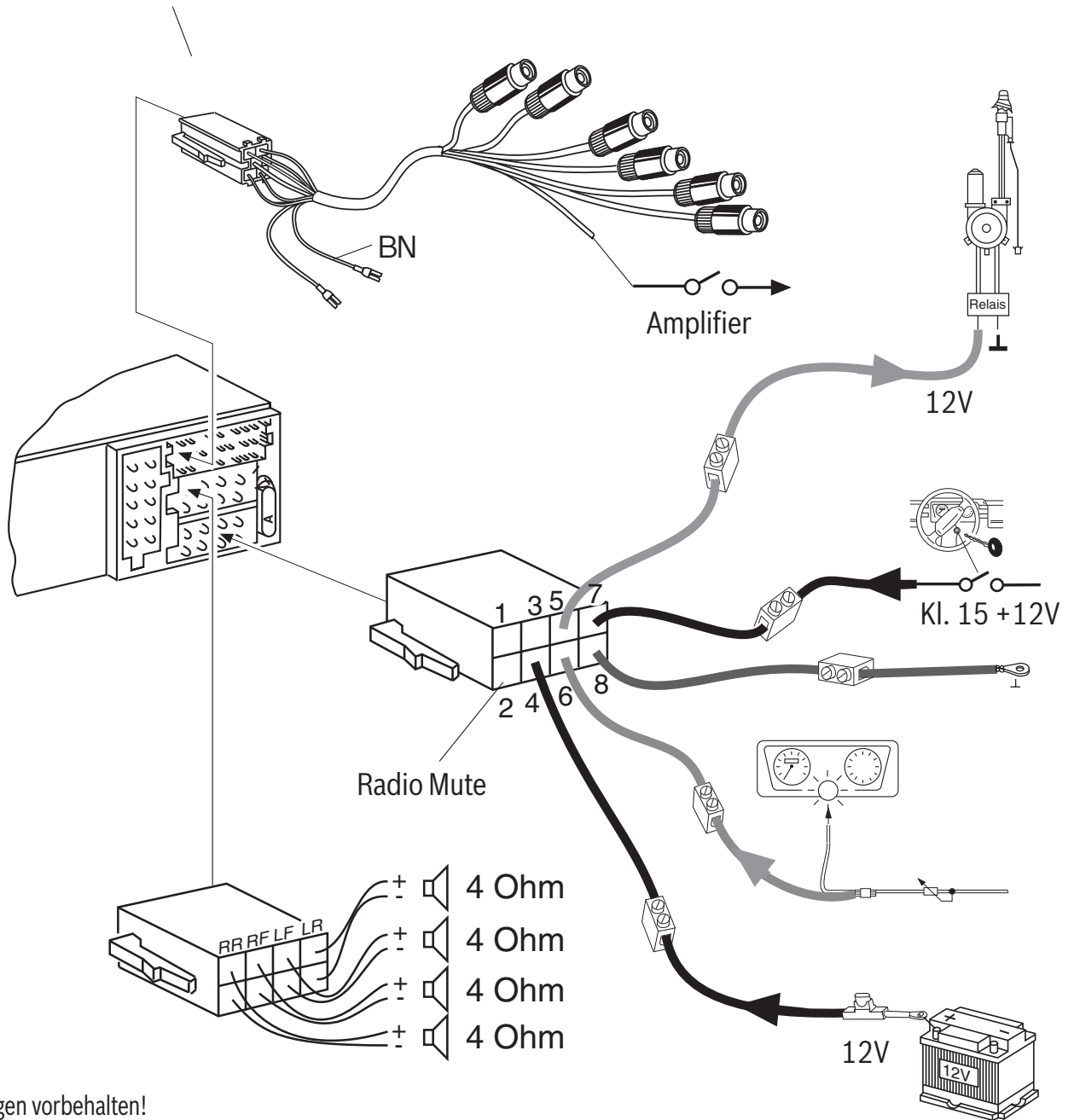
C					
C1		C2		C3	
1	Line Out LR	7	Telefon NF in +	13	CDC-Data - In
2	Line Out RR	8	Telefon NF in -	14	CDC-Data - Out
3	Line Out / Ground	9	Radio Mute	15	Permanent +12V
4	Line Out LF	10	- RC +12V *	16	+12V *
5	Line Out RF	11	Remote Control	17	Bus / GND
6	+12V Amplifier *	12	RC - GND	18	AF / GND
				19	CDC Line In - L
				20	CDC Line In - R



8.

**Preamp./Sub./Center - out cable**

7 607 001 512



Änderungen vorbehalten!  
 Subject to changes!  
 Sous réserve de modifications!  
 Modifiche riservate!  
 Wijzigingen voorbehouden!  
 Ändringar förbehålles!  
 Modificaciones reservadas!  
 Sob reserva de alterações!  
 Ret til ændringer forbeholdes!  
 Zmiany techniczne zastrzeżone!  
 Změny vyhrazeny!  
 Zmeny vyhradené!

---

Bitte den ausgefüllten Gerätepass sicher aufbewahren!  
Please keep the filled-in radio pass in a safe place!  
Prière de conserver soigneusement la carte d'autoradio remplie !  
Tenete per favore il libretto di apparecchio, debitamente riempito, in un posto sicuro!  
Bewaar de ingevulde apparaatpas op een veilige plaats!  
Vänligen förvara ifyllt apparatpass på säker plats!  
¡Favor guardar el documento del aparato debidamente llenado en un lugar seguro!  
Por favor, guardar o cartão preenchido do aparelho num lugar seguro!  
Det udfyldte apparatpas opbevares et sikkert sted!  
Prosimy przechowywać metrykę radia w bezpiecznym miejscu!  
Vyplněný dokument o přístroji prosím bezpečně uschovejte!  
Vyplněný dokument o přístroji prosím bezpečně uschovejte!

Country:	Phone:	Fax:	WWW:
Germany	(D) 0180-5000225	05121-49 4002	<a href="http://www.blaupunkt.com">http://www.blaupunkt.com</a>
Austria	(A) 01-610 39 0	01-610 39 391	
Belgium	(B) 02-525 5444	02-525 5263	
Denmark	(DK) 44 898 360	44-898 644	
Finland	(FIN) 09-435 991	09-435 99236	
France	(F) 01-4010 7007	01-4010 7320	
Great Britain	(GB) 01-89583 8880	01-89583 8394	
Greece	(GR) 210 94 27 337	210 94 12 711	
Ireland	(IRL) 01-46 66 700	01-46 66 706	
Italy	(I) 02-369 62331	02-369 62464	
Luxembourg	(L) 40 4078	40 2085	
Netherlands	(NL) 00 31 24 35 91 338	00 31 24 35 91 336	
Norway	(N) +47 64 87 89 60	+47 64 87 89 02	
Portugal	(P) 2185 00144	2185 00165	
Spain	(E) 902 52 77 70	91 410 4078	
Sweden	(S) 08-7501850	08-7501810	
Switzerland	(CH) 01-8471644	01-8471650	
Czech. Rep.	(CZ) 02-6130 0446	02-6130 0514	
Hungary	(H) 76 511 803	76 511 809	
Poland	(PL) 0800-118922	022-8771260	
Turkey	(TR) 0212-335 06 71	0212-346 00 40	
USA	(USA) 800-950-2528	708-6817188	
Brasil (Mercosur)	(BR) 0800 7045446	+55-19 3745 2773	
Malaysia (Asia Pacific)	(MAL) +604-6382 474	+604-6413 640	

03/08 - CM-AS/SCS1 (dt, gb, fr, it, nl, sw, es, pt, dk, pl, cz, sk)

## Gerätepass

Name: .....

Typ: **7 647** .....

Serien-Nr: **BP** .....

 **BLAUPUNKT**

